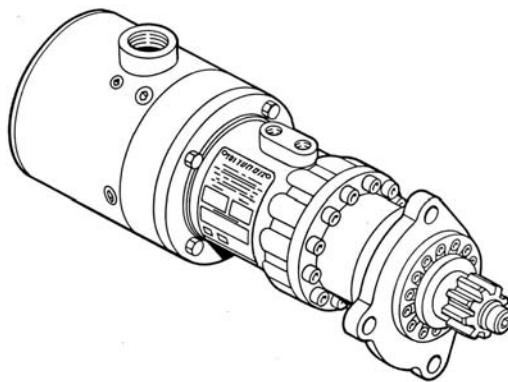


# ILLUSTRATED PARTS BREAKDOWN



## MODEL: T30-Y **TURBOTWIN** Engine Air Starter



---

AN 96-424

**RJ Mann & Associates Inc.**  
*Engine Controls & Panels/Compressor Parts*  
860 North 9th Avenue, Brighton, CO 80603  
Ph: (303) 659-5139 Fax: (303) 659-5309  
[www.rjmann.com](http://www.rjmann.com)

## T30-Y ILLUSTRATED PARTS BREAKDOWN

ITEM #	DESCRIPTION	PART NUMBER	QTY.	Overhaul Kit T30Y-27623-001
1	Screw	14F-16432-008	8	√
2	Exhaust Support	2-27475	1	
3	Exhaust Screen	2-27239	1	
4	Screw, Rotor Attachment	19F-25028-012	1	√
5	Rotor Washer	9-93047	1	
6	Stage 2 Rotor	2-27232	1	
7	Square Key (1/8")	9-90220-050	2	
8	Turbine Bearing	9-91224	2	√
9	Bearing Pre-Load Spring	9-90439	2	√
10	Bearing Spacer	9-93091-003	1	√
11	Hollow Hex Plug	9-93501-002	1	
12	1" NPT Caplug	9-93502-006	1	
13	Stage 2 Noz./Inlet Assy. (RH)	2-27405-00R	1	
14	Screw	72F-25020-012	5	√
15	Stage 1 Rotor	2-27225	1	
16	Lip Seal	2-26719	1	√
17	Seal / Bearing Spacer	9-93114	1	√
18	O-Ring	9-90001-047	1	√
19	Turbine Hsg. / Stage 1 (3 Noz. RH)	2-27389-03R	1	
19	Turbine Hsg. / Stage 1 (6 Noz. RH)	2-27389-06R	1	
19	Turbine Hsg. / Stage 1 (12 Noz. RH)	2-27389-12R	1	
20	Bearing Retainer	2-27406	1	
21	Screw	14F-25020-012	4	√
22	Turbine Shaft	2-27391-001	1	
23	Ring Gear	2-27395	1	
24	Carrier Shaft Weldment	2-27474-001	1	
25	Planet Shaft	2-22051	3	
26	Planet Gear Spacer	9-93065	6	√
27	Planet Gear (9.0:1)	2-23878	3	
28	Planet Bearing	9-91389	3	√
29	Gearbox Bearing	9-91405	1	√
30	Screw	14F-19024-012	4	√
31	O-Ring	9-90001-049	1	√
32	Gearbox Housing	2-27390	1	
33	Hex Bolts (Gearbox Attachment)	74F-25020-024	4	√
34	O-Ring	9-90001-035	1	√
35	Bearing Hub	2-24114	1	
36	O-Ring	9-90002-331	1	√
37	Lip Seal	2-23810	1	√
38	Thrust Washers	9-93085	2	√
39	Retainer Ring	9-92001-025	1	√
40	O-Ring	9-90002-336	1	√
41	Pre-engage Piston	2-24644-001	1	
42	O-Ring	9-90002-234	1	√
43	Split Rings	2-23419	2	√
44	Drive	2-27254	1	
45	Return Spring	9-90430	1	
46	Retainer Ring	9-92001-011	1	√

<b>ITEM #</b>	<b>DESCRIPTION</b>	<b>PART NUMBER</b>	<b>QTY.</b>	<b>Overhaul Kit T30Y-27623-001</b>
47	Roller Bearing	9-91422	1	√
48	Lip Seal	2-22084	1	√
49	<i>This O-Ring is no longer used. See Service Bulletin # 86.</i>			
50	Pinion Housing	2-28552	1	
51	Screw (Pinion Hag. attachment)	14F-25020-016	12	√
52	O-ring	9-90001-042	1	√
53	Mounting Flange S.A.E. 1	2-24397	1	
53	Mounting Flange S.A.E. 3	2-24400	1	
53	Mitsubishi Flange S6A/S6B	2-24787	1	
53	Mitsubishi Flange S6N/S8B	2-24788	1	
54	Screw, (Flange attachment)	14F-25028-016	12	√
55	Collar, Pinion	2-23908	1	
56	Code 01 - 6/8P, 12/11T, RH	2-23910-001	1	
56	Code 02 - 8/10P, 13/12T, RH	2-23910-002	1	
56	Code 03 - 8/10P, 11/10T, RH	2-23910-003	1	
56	Code 04 - 3 Mod, 9T, 14.5 PA, RH	2-23910-004	1	
56	Code 05 - 3 Mod, 11T, 14.5 PA, RH	2-23910-005	1	
56	Code 06 - 3.5 Mod, 11T, 14.5 PA, RH	2-23910-006	1	
56	Code 07 - 3.5 Mod, 13T, 14.5 PA, RH	2-23910-007	1	
56	Code 08 - 8/10P, 14/13T, RH	2-23910-008	1	
57	Washer	9-93001-013	1	√
58	Screw, Pinion attachment	11F-50020-32	1	√

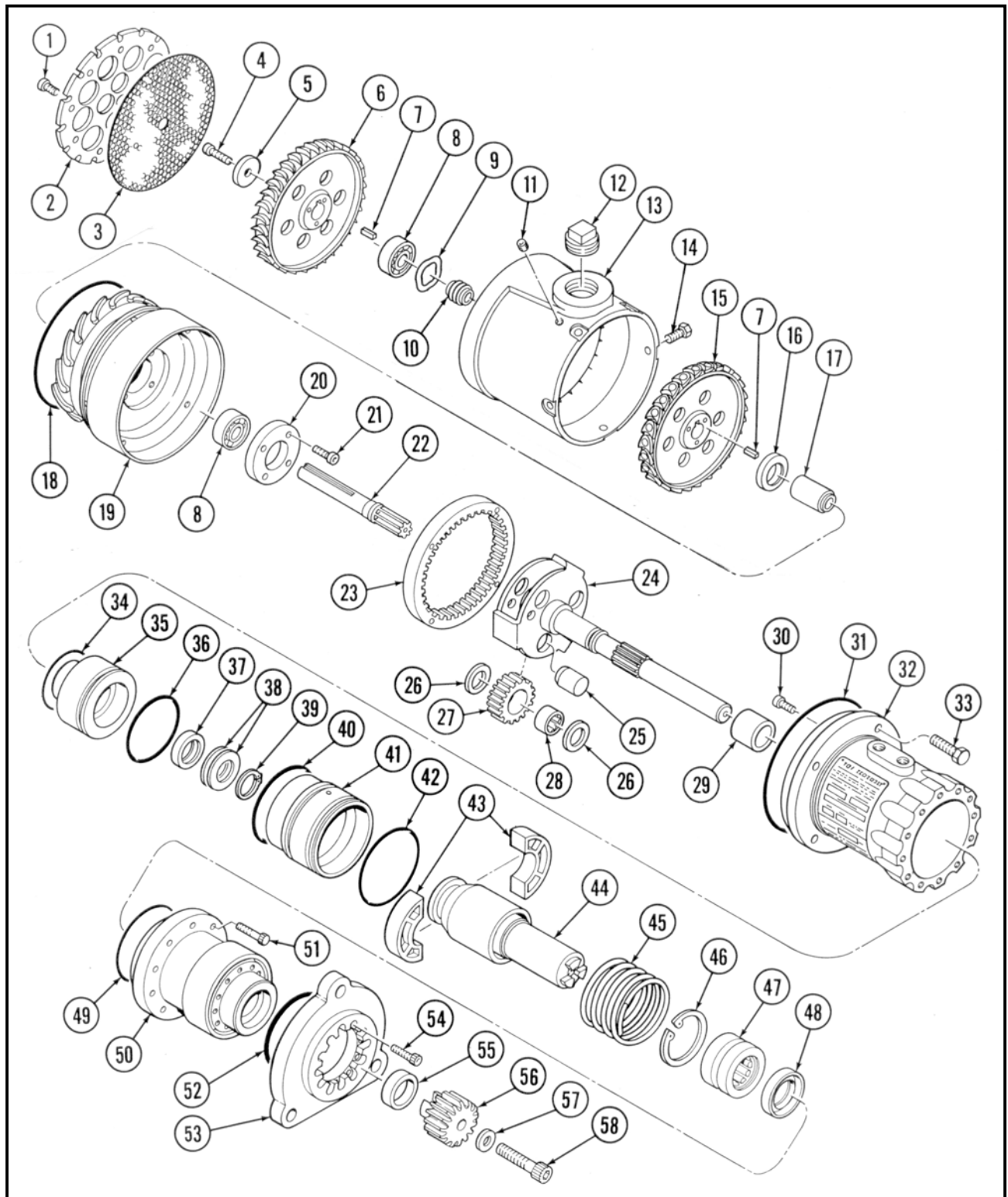


Figure 1. T30-I Illustrated Parts Breakdown

T30-Y "Quiet" Turbine Assembly Parts Breakdown (Effective SN: 0010-394)				
ITEM #	DESCRIPTION	PART NUMBER	QTY.	Upgrade Kit
				T30-28679-00R
1	Screw	14F-16432-008	8	
2	Exhaust Support	2-27475	1	
3	Exhaust Screen	2-27239	1	
4	Screw, Rotor Attachment	19F-25028-012	1	
5	Rotor Washer	9-93047	1	
6	Stage 2 Rotor	2-27232	1	
7	Square Key (1/8")	9-90220-050	2	
8	Turbine Bearing	9-91224	2	
9	Bearing Pre-Load Spring	9-90439	2	
10	Spacer, Labyrinth	2-28445	1	√
11	Screw	11A-37516-008	2	√
12	Hollow Hex Plug	9-93501-002	1	
13	1" NPT Caplug	9-93502-006	1	
14	Stage 2 Nozzle (RH)	2-28595-00R	1	√
15	Screw	72F-25020-012	5	
16	Stage 1 Rotor	2-27225	1	
17	Lip Seal	2-26719	1	
18	Spacer/SealBearing	9-93114	1	
19	O-Ring	9-90001-047	1	
20	Turbine Hsq. / Stage 1 (3 Noz. RH)	2-27389-03R	1	
20	Turbine Hsq. / Stage 1 (3 Noz. LH)	2-27389-03L	1	
20	Turbine Hsq. / Stage 1 (6 Noz. RH)	2-27389-06R	1	
20	Turbine Hsq. / Stage 1 (6 Noz. LH)	2-27389-06L	1	
20	Turbine Hsq. / Stage 1 (12 Noz. RH)	2-27389-12R	1	
20	Turbine Hsq. / Stage 1 (12 Noz. LH)	2-27389-12L	1	
21	Bearing Retainer	2-27406	1	
22	Screw	14F-25020-012	4	
23	Turbine Shaft	2-27391-002	1	
24	Ring Gear	2-27395	1	

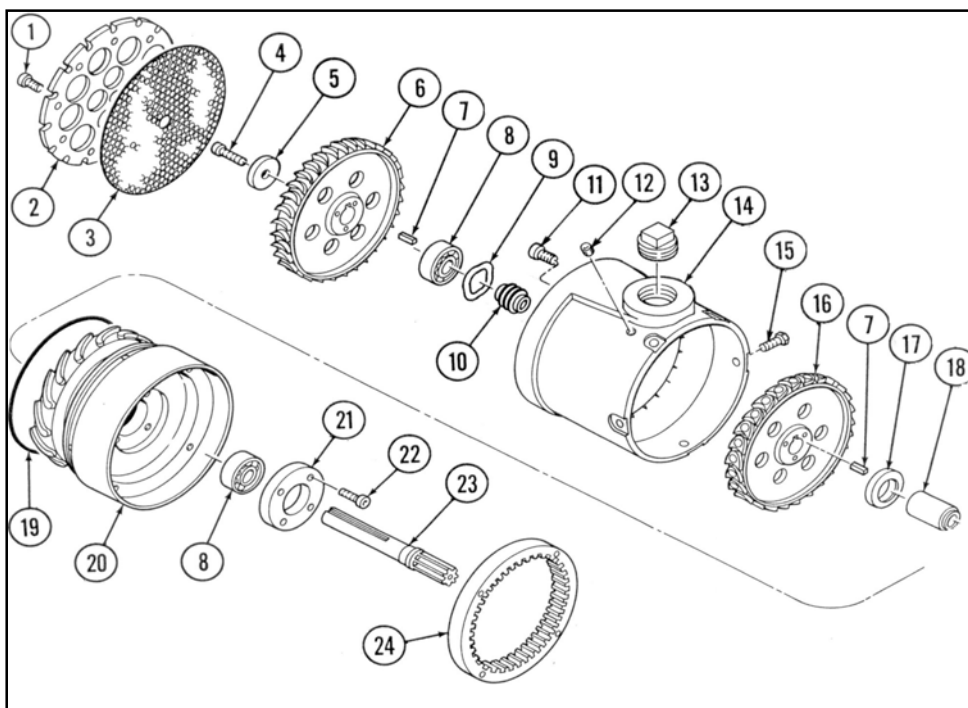


Figure 2. T30-Y "Quiet" Turbine Assembly (Effective SN: 0010-394)